



CME 840 VTR.



4 induction rings.

- Vitroceramic hob.
- 1 x 3.5 kW square, 300 x 300 mm.
- 1 x 1.2 kW ring, Ø 140 mm.
- 1 x 2.1 kW ring, Ø 210 mm.
- 1 double ring (1.4 / 2.1kW), Ø 210mm.
- Supplied without shelves.
- Open bay.

CME 840 VTR W 800 - D 650 - H 900

Shelving supports option - 5 levels - takes
Gastronorm 1/1 containers.

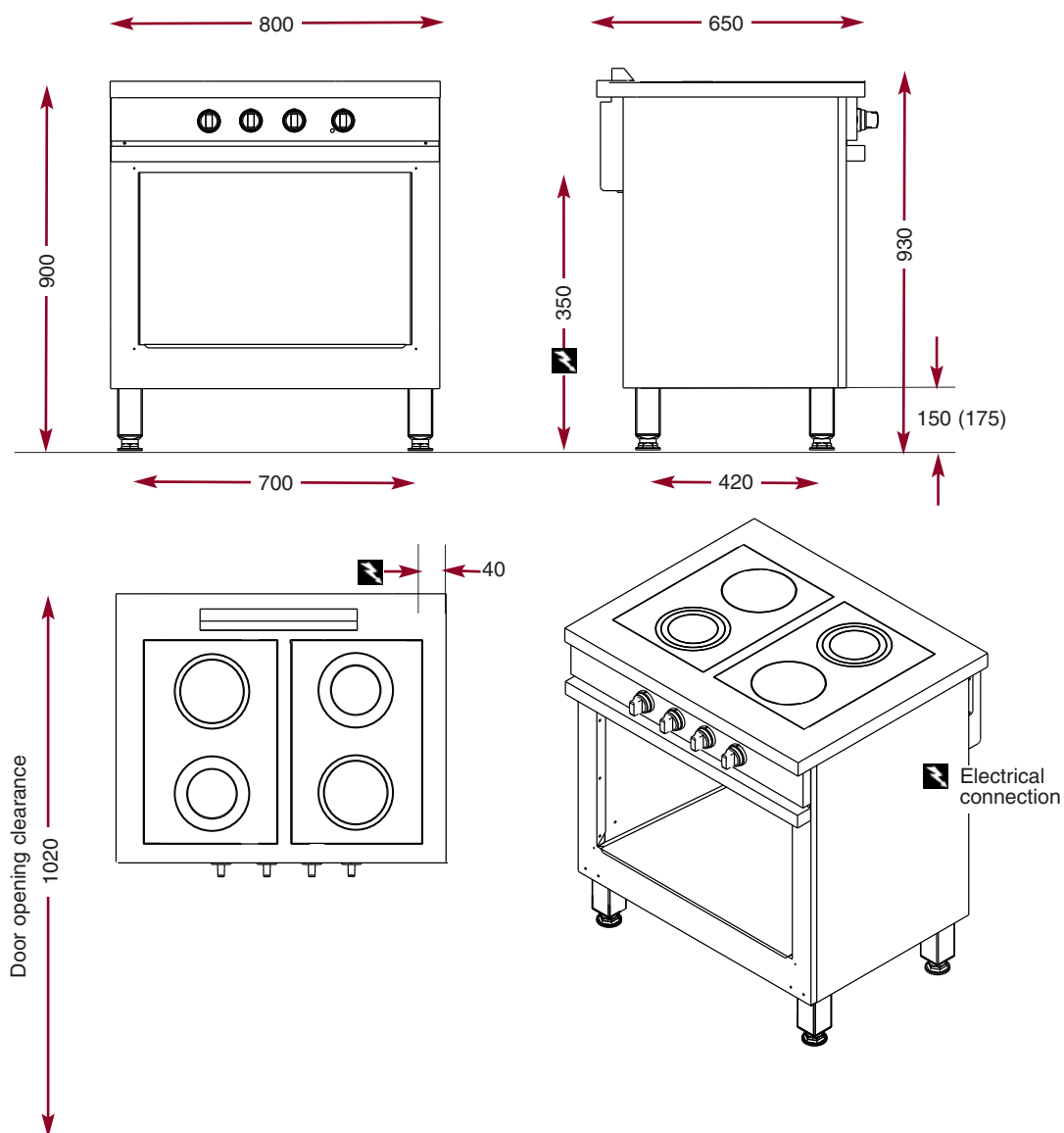
ECH 804

Door option.

CPM 800

4 induction rings

CME 840 VTR



The Chef's Choice.

N° 40 bis - 2